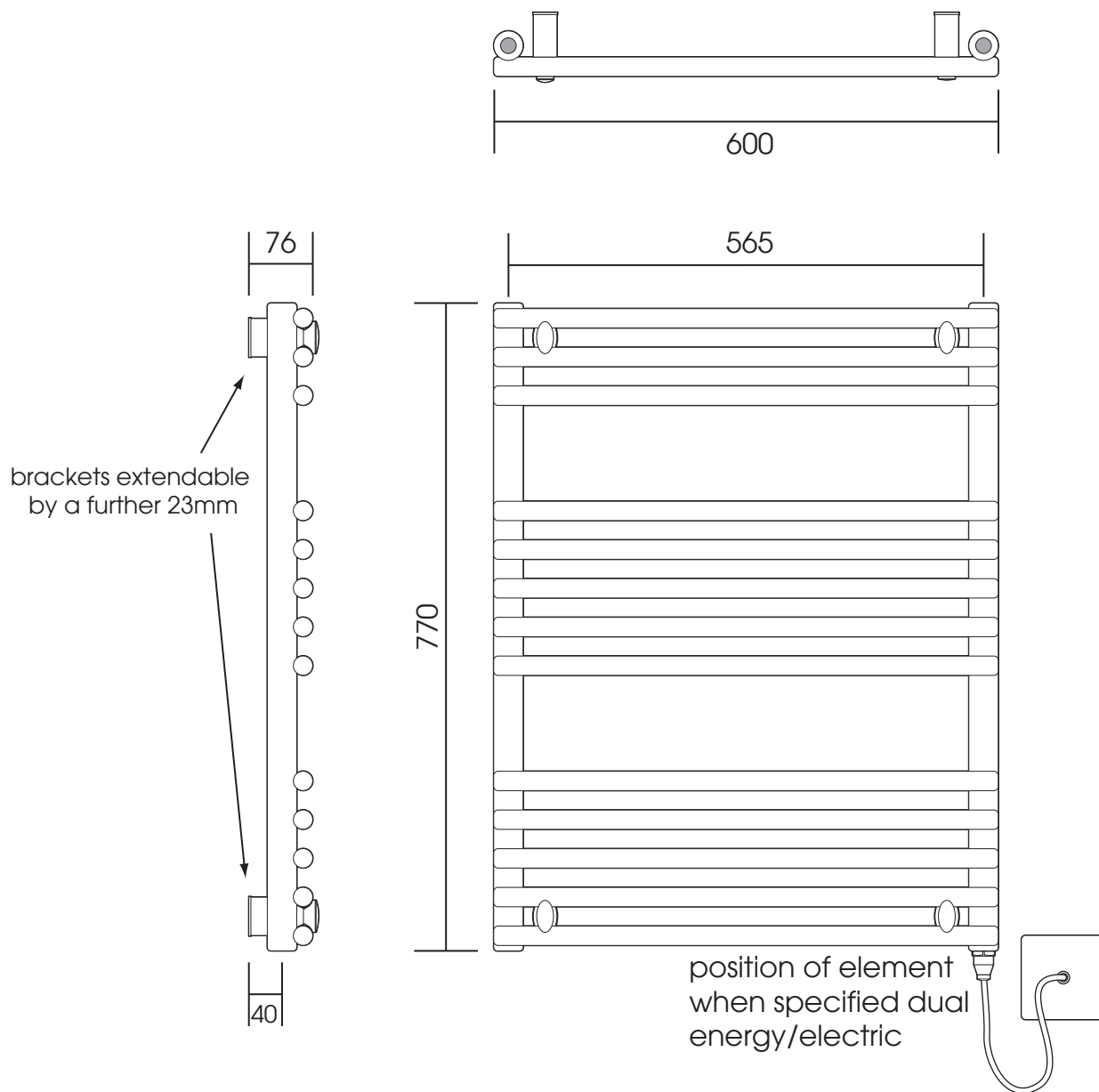




# JM-TT08060



Height: 772

Width: 600

Depth: 76-99

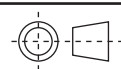
Tube  $\varnothing$  : 35 + 23

Output @ 50°C $\Delta$ T: 347 W

Elec. element when specified: 200 W

\*Dual energy models require a conversion-tee, consult relevant drawing for details.  
Brackets supplied may differ from those depicted

Jumel reserve the right to alter specifications without prior notice.  
All measurements given are nominal dimensions only.



**SCALE 1:8**

All dimensions in millimetres

Jumel Division of Towel Rails 2 Go Ltd, Unit M, Key Industrial Park, Fernside Road, Wolverhampton, West Midlands, WV13 3YA  
Tel: 01902 387099 - Fax: 01902 387098 - Email: sales@jumel.co.uk